

# PREFAB BATHROOM UNIT

A great alternative to traditional bathroom

*"Quality life comes from the details of life. The bathroom is small, but there is a lot of learning in it. Every design, every technology, is just for you. The best bath experience allows you to enjoy the quality life of the "bath". - Prefab Bathroom unit*

INTEGRATED DESIGN  
INTEGRATED MANUFACTURING  
INTEGRATED PROVIDING  
INTEGRATED INSTALLATION  
INTEGRATED SERVICE

**Just 4 Hours  
Installation**



# INTRODUCTION

Prefab bathroom unit is a one-stop solution of using new high-tech materials to produce the whole bathroom floors, walls and ceilings, with dry construction. It integrates the functions of washing, toileting, showering and other sanitary facilities, can be installed only within four hours.

## What is Prefab Bathroom Unit

- A bathroom come in flat pack form.
- Easily assembled on site.
- Most of the works done in factory.
- Is a fully completed bathroom with all -the finishes such as floors, ceiling, walls, sanitary wares and light fitting.
- Simple installation.

## Why prefab Bathroom Unit

- IBS components.
- Hightech materials.
- Fast and easy installation.
- Quality controlled
- Leaking FREE
- Low maintenance
- Low construction cost
- Save time construction
- Affordable
- Enviroment friendly
- One-Stop purchasing

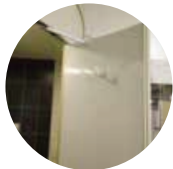
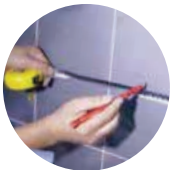


## 4 HOURS INSTALLATION

1. Drainage Installation

8. Internal fittings Installation

2. Level adjustment



3. Wall Splicing



6. Main body installation completed



5. Ceiling Assembling



4. Wall Assembling

## INTEGRATED SYSTEM

### INTEGRATED DESIGN

We are taking the functionality and aesthetics of the bathroom into account when comes to designing.

### INTEGRATED MANUFACTURING

All parts are completed in the factory to ensure stability and reliability of quality; Eventually it helps to prevent problems like water leakage, tile hollowing, cracking. Generally reduce maintenance costs.

### INTEGRATED PROVIDING

Its is effort saving, money saving, convenient and quick due to all the parts of bathroom units can be shopped in one time.

### INTEGRATED INSTALLATION

Parts are mount on-site in a "building block" way; in which it increase efficiency and reduce construction costs

### INTEGRATED SERVICE

Giving full three dimensional service of pre-sales, on-purchase, and after sales.

# System Advantages

## SMC Material

SMC short for Sheet Molding Compound is a composite material—unsaturated polyester glass fiber reinforced sheet molding compound, which is one-step



1. Without any harmful gases such as formaldehyde, without any radiation pollution of ceramic tile. Environmental friendly, and can be implemented "install and play".



2. Product contamination resistance test, recovery rate is up to 90%



3. SMC material with closely molecular structure, and without micro holes on the surface, resists the dirt. Corner design makes it omni-directional sanitary and clean

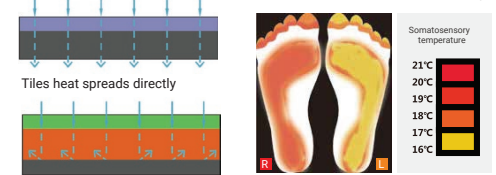


4. Unlike the cold and hard ceramic tile, SMC not only felt gentle but also preventing slippery, more over it has functions to massage the feet and of anti knocking.



5. Compare with traditional cold tile floor, high-quality SMC material is warm, and can be tread on the ground with barefoot even in cold weather in winter.

Somatosensory temperature test results after standing 15 second



SMC materials keep heat circulating in the bathroom

■ Standing on SMC material  
■ Standing on ceramic tile

With unique surface technology, it can better prevent heat emitted. Keep bathroom very warm.

## Floor

• Waterproof floor is press molding at one time, With unique turn-ups water lock design, no leakage, eradicate the ills of traditional bathroom leakages.

• COZY's SMC waterproof floor uses mosaic patterns to break the tension of the water and increase the contact area of the surface with the water droplets. The water flows faster, with less water accumulation.



- High strength without distortion
- Non porous and easy to clean
- Anti-aging and durable
- No radiation and more healthy

## Material



- Its Commonly use in Aircraft cabin.  
- the inner wall of high speed train.

## Whirlpool drain

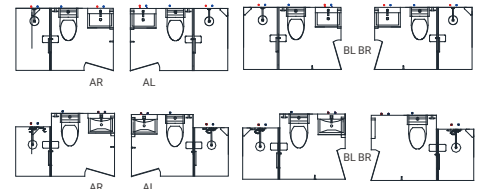
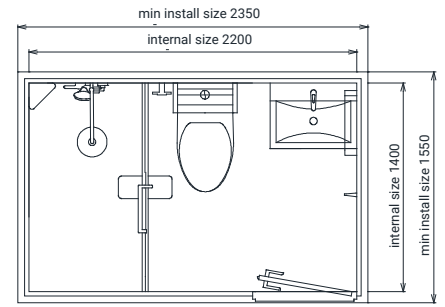


### Floor drain to prevent odor

With a 50-70mm drain water seal, it prevents the smelly from the sewage pipe **Odor-resistant** and keep the air fresh.

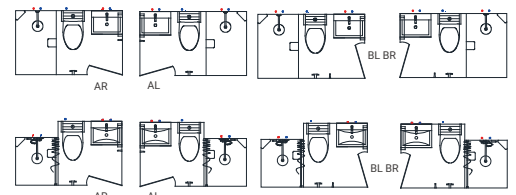
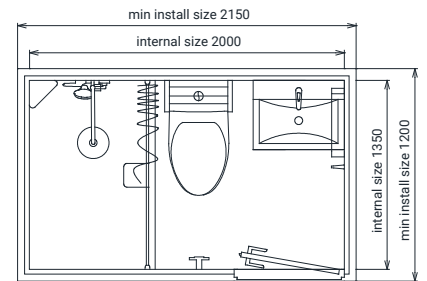
## Quick Clean up Step

1. Remove drainage cap
2. Open whirlpool draining system filter
3. Clean the filter
4. Clean dirt around the drainage and ready to go



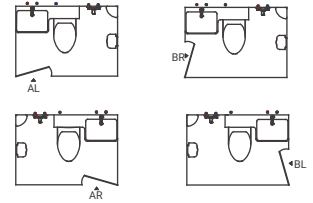
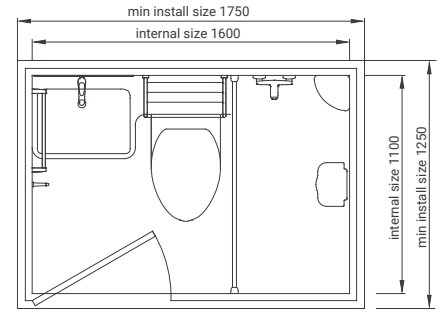
## BUE1422

Dimensions	Internal	External
Width	1400mm	1550mm
Length	2200mm	2350mm
Height	2000mm/2200mm	2500mm/2650mm
Available area	3.08m <sup>2</sup>	
Weight	≤330kg	
Shipping Info.	40HC-Flat Pack ( 32 sets ), Assembled ( 5 sets )	



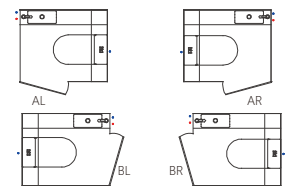
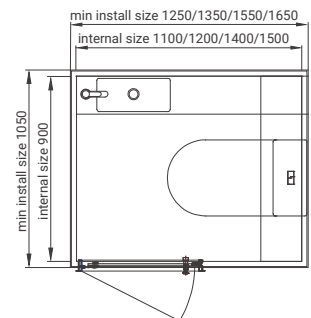
## BUE1220

Dimensions	Internal	External
Width	1200mm	1350mm
Length	2000mm	2150mm
Height	2000mm/2200mm	2500mm/2650mm
Available area	2.40m <sup>2</sup>	
Weight	≤270kg	
Shipping Info.	40HC-Flat Pack ( 35 sets ), Assembled ( 8 sets )	



## BUL1116

Dimensions	Internal	External
Width	1100mm	1250mm
Length	1600mm	1750mm
Height	2000mm/2200mm	2500mm/2650mm
Available area	1.76m <sup>2</sup>	
Weight	≤220kg	
Shipping Info.	40HC-Flat Pack ( 45 sets ), Assembled ( 9 sets )	



## 09 series-Toilet

BUJ0911/0912/0914/0915

Dimensions	Internal	External
Width	900mm	1050mm
Length	1100/1200/1400/1500mm	1250/1350/1550/1650mm
Height	2300mm	2600mm/2750mm
Available area	0.99m <sup>2</sup> /1.08m <sup>2</sup> /1.26m <sup>2</sup> /1.35m <sup>2</sup>	
Weight	≤200kg	
Shipping Info.	40HC-Flat Pack ( 60 sets ), Assembled ( 18/16/14/14 sets )	

# How do we quote.



## Price quoted including:

Part 1: Main Structure

- Floor, Walls, Ceiling, Door & Floor Drain

Part 2: Accessories (If Applicable)

- Water Closet, Basin Set, Faucet set, Shower Set, Shower Screen\*, Paper Holder, Mirror, Towel Rail, Towel Rack, Down Light, Exhaust fan & Others Appliances

Part 3: • Transportation

- SST

Part 4: Work done for

- Installation for Main Structure • Installation for Accessories

## Price Excluded (Setting up point refer to PBU Drawing):

- Site Distribution Cost
- Incoming Water Piping - Incoming Power Wiring

